

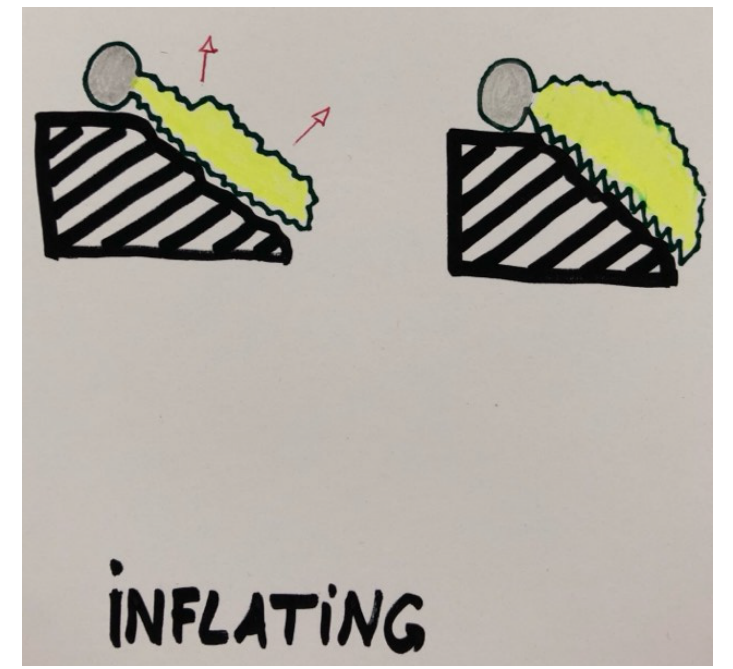
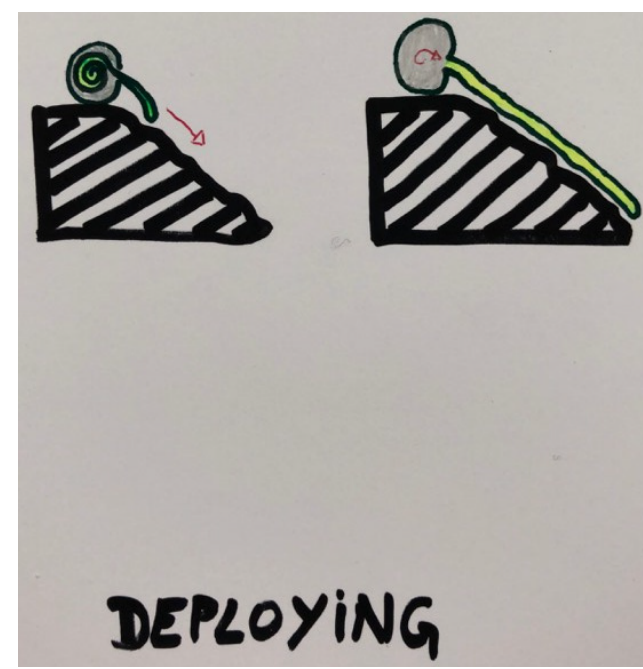
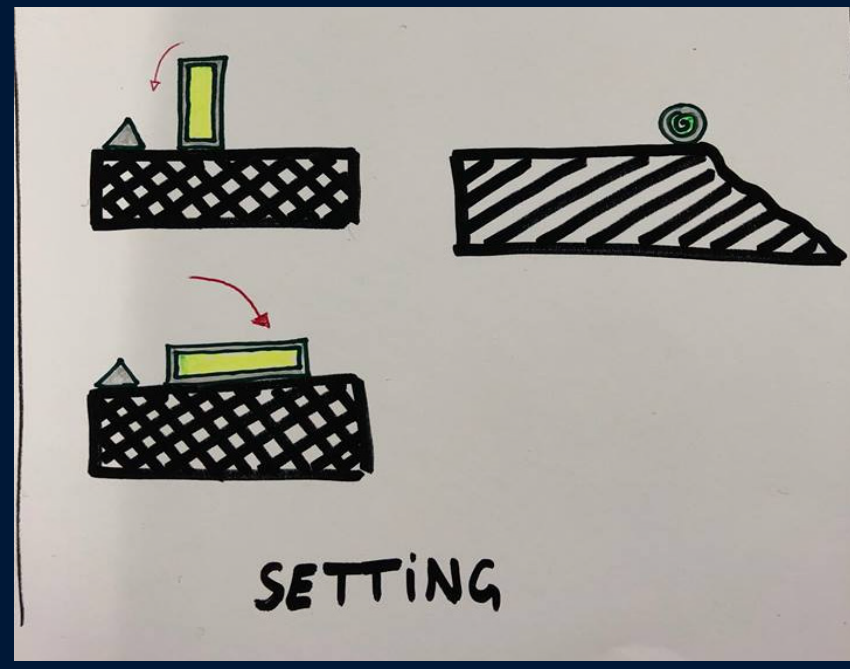
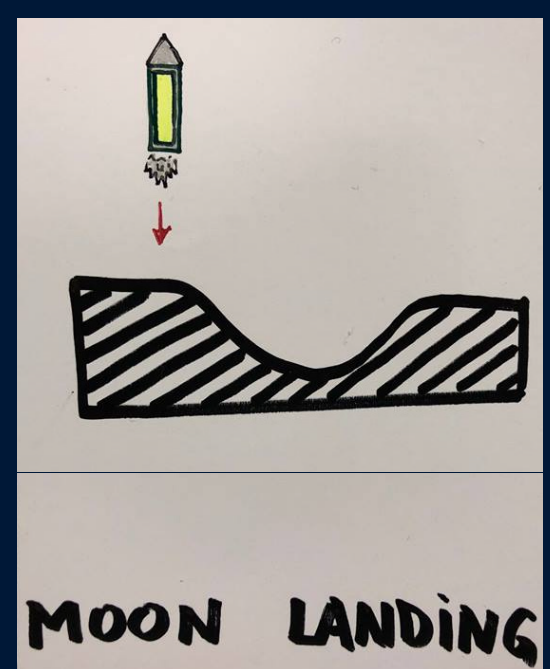
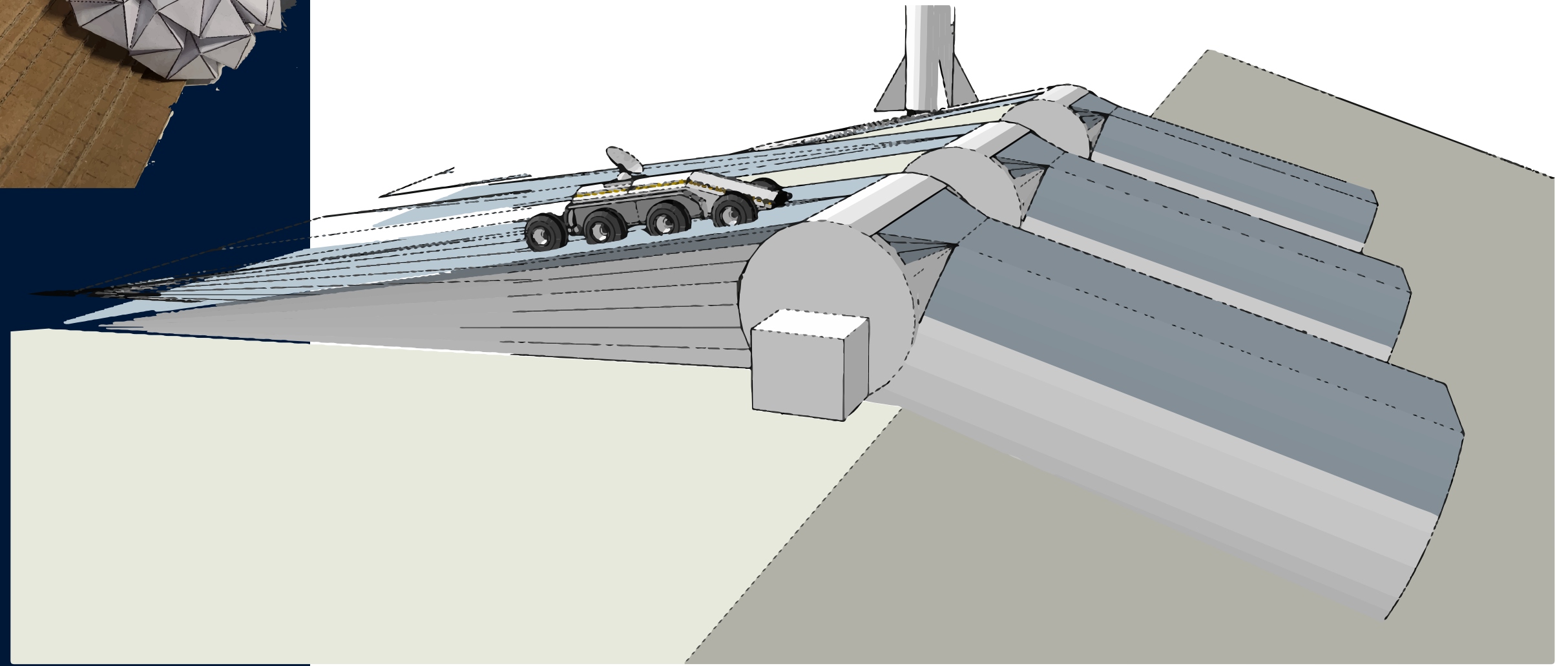
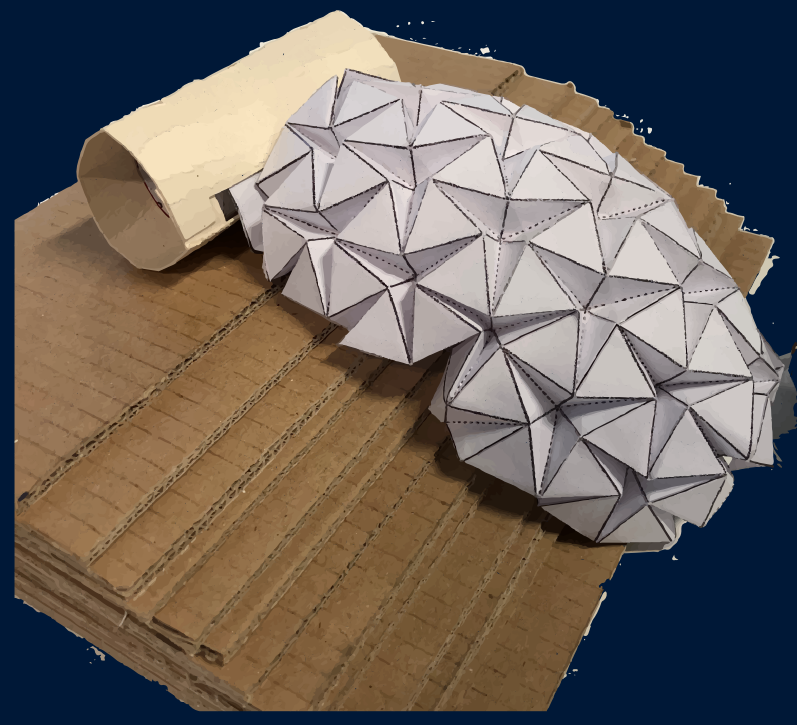
Origami moon exploration

08 February 2019

Alissia Girin - Etienne Paquet - Théo Poyard
- Patricia Guemes - Maher Jandah Pierre Monnier

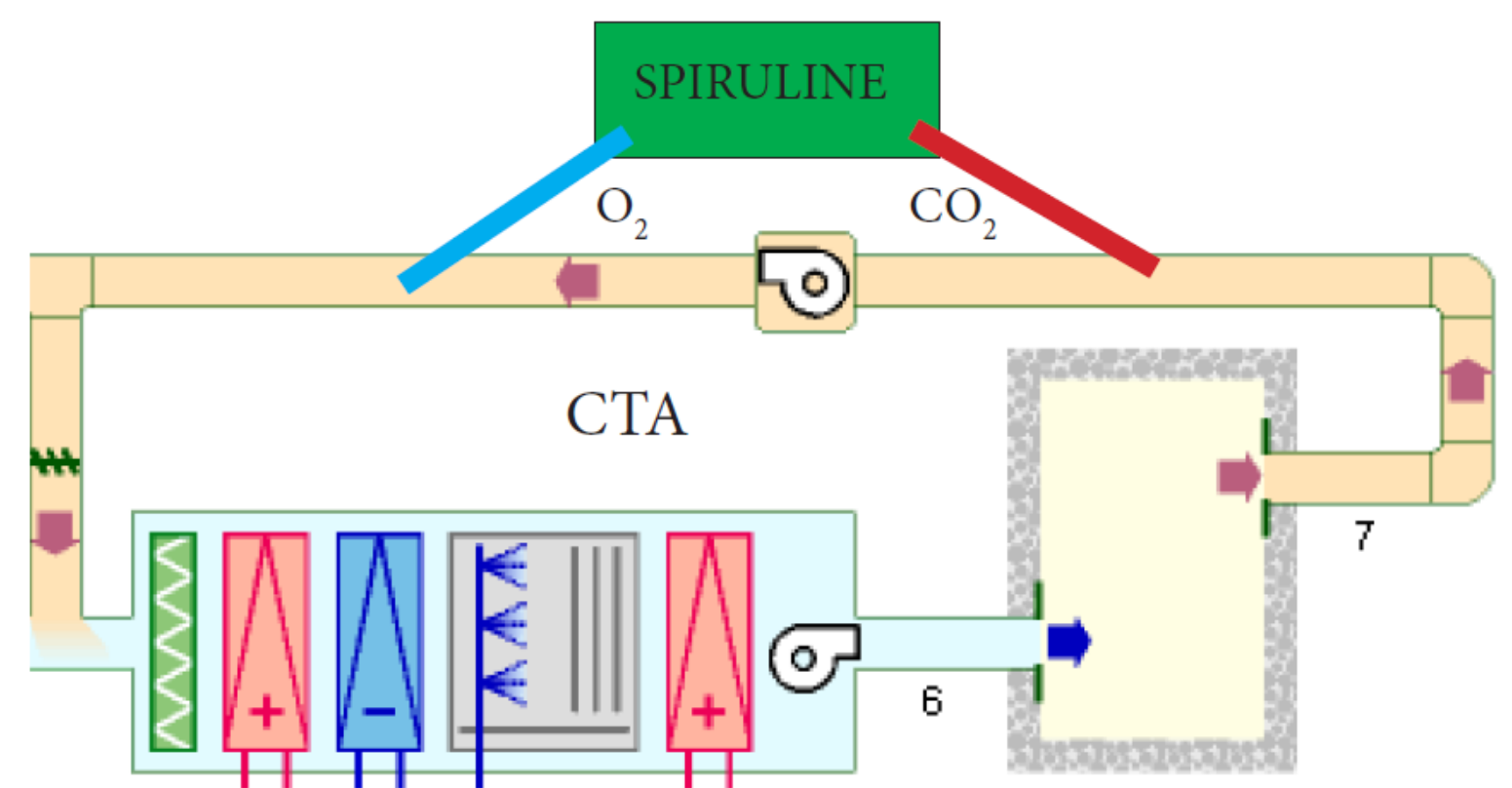
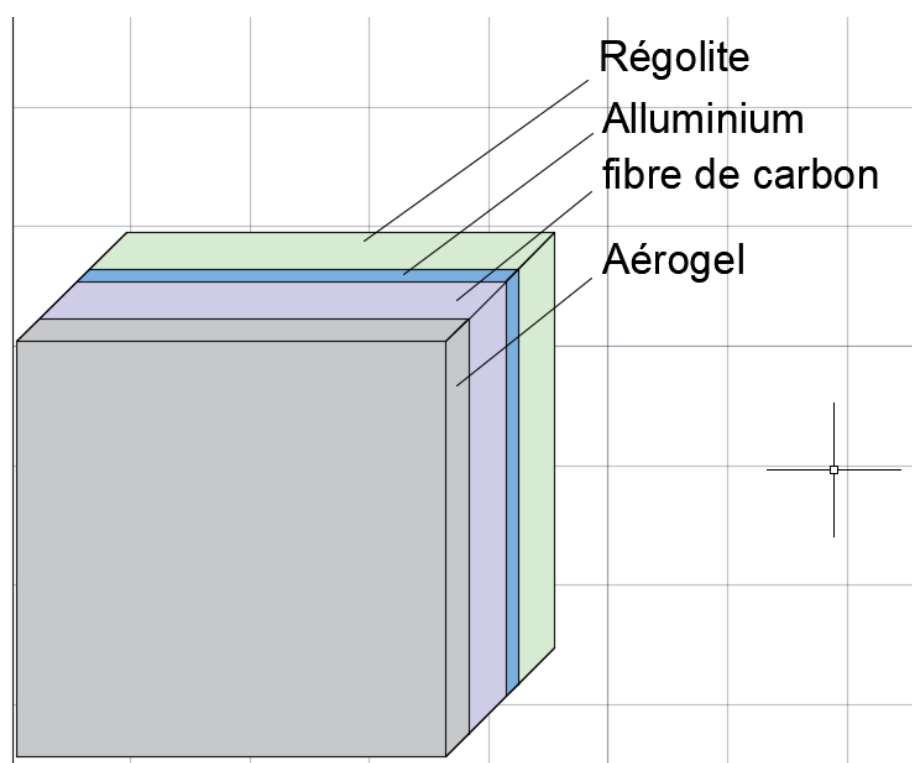
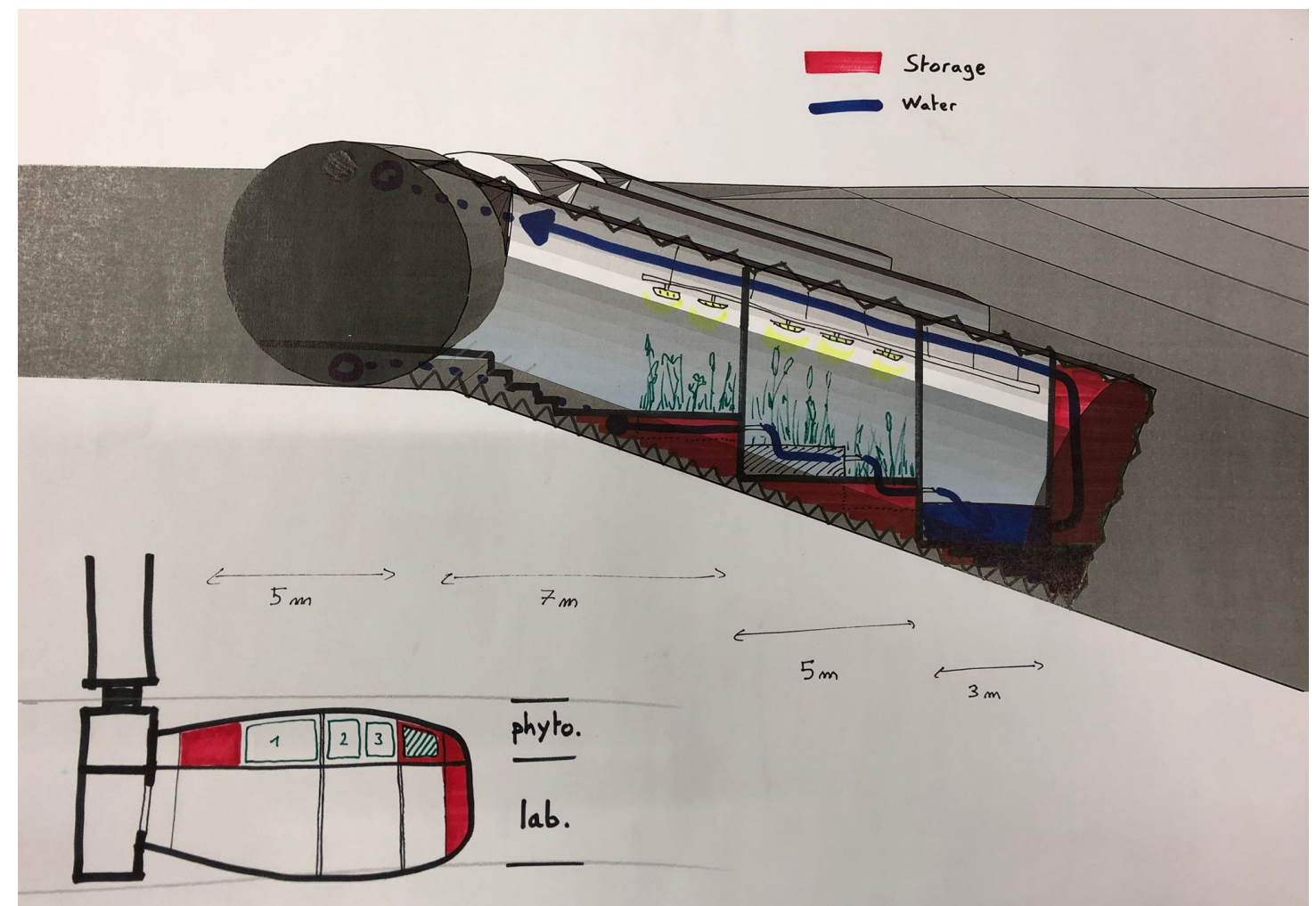
the concept :

- 3 modules
- 3 self shaped and foldable structure (origami types)
- Installation on the slope of the crater
- South and North pole of the moon
- 10/12 people



Technologies :

- Solar Pannel
- CTA / Spiruline
- Water Recovery System / Phytoepuration
- Heating / Cooling = Fluid panel
- Layer Composition : Aerogel + Fibre carbon + Aluminium + Regolite (1m)



Project goal :

- Lunar prospection
- Study the characteristics of the moon
- Study moon's water
- Bring life to the moon
- Fast deployment
- Sustainable system

